

P270

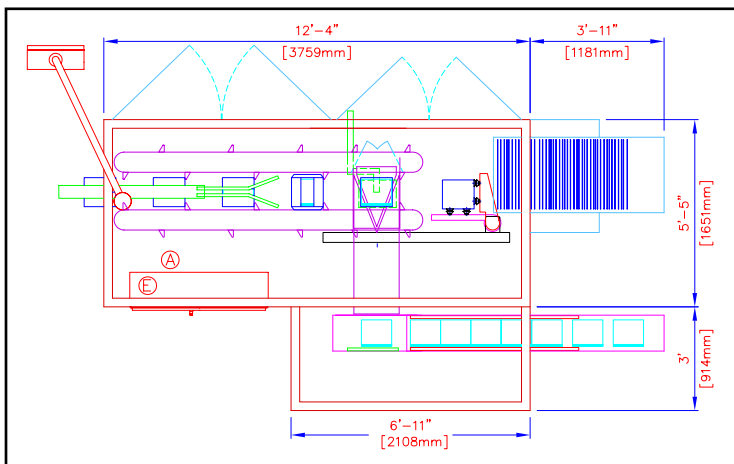
BOTTOM LOAD CASEPACKER

The best maintenance access
in the industry

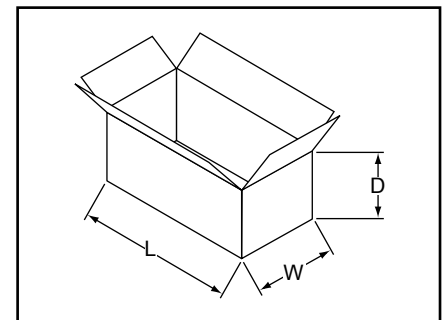
- All Servo Driven
- Balcony Design
- Compact Footprint
- All Belt Drives - low noise, longer life
- Unique Positive Dual Vacuum Case Erector
- Fast and Accurate Changeover - less than 5 minutes
- Efficient Product Collation/Accumulation
- Large Capacity, Ergonomic Case Magazine
- Low Maintenance - easy access to all components provides for easy maintenance
- User Friendly - fewer parts to time in
- Hot Glue or Tape Sealing
- **Validation Made Easy**



Easy Case Clear-out in the closing station



Standard Range Floorplan



| Case Range | Length | Width | Depth |
|------------|-----------------|----------------|-----------------|
| Minimum | 8" 203.2 mm | 6" 152.4 mm | 4" 101.6 mm |
| Maximum | 24" 609.6 mm | 15" 381 mm | 12" 304.8 mm |

Larger Ranges Available

SERPA

7020 W. Sunnyview Ave. • Visalia, CA 93291
 TEL: 559.651.2339 • FAX: 559.651.2345
 sales@serpapakaging.com
 www.serpapakaging.com