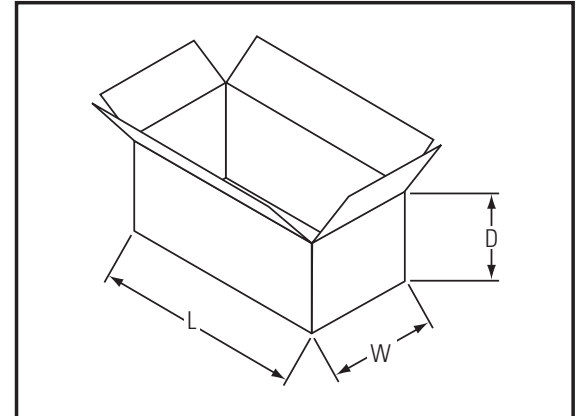


ModPack™

SEMI-AUTOMATIC CASE PACKER

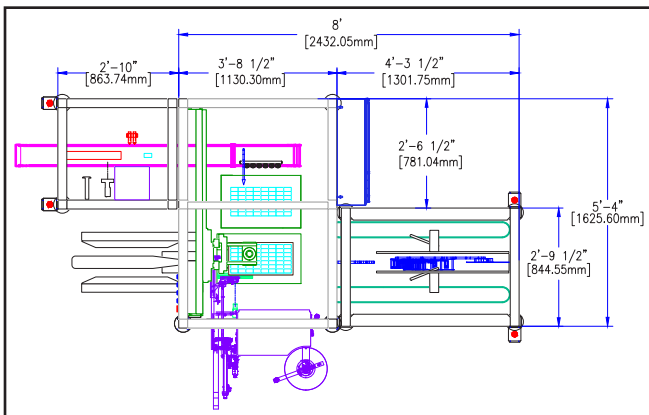
A modular case packer designed for serialized case aggregation!

- Modular Design - flexible to meet project requirements
- Most Compact Footprint
- Collator Designed for Bottles, Cartons & Bundles
- 2-axis Pick & Place Loader
- Great Access to Front & Back of Labeler
- Compatible with All Serialization Systems
- Fast and Accurate Changeover - less than 5 minutes
- Low Maintenance - easy access to all components provides for easy maintenance
- User Friendly - fewer parts to time in
- **Validation Made Easy**



Case Range	Length	Width	Depth
Minimum	6" 152.4 mm	5" 127 mm	4" 101.6 mm
Maximum	20" 508 mm	12" 304.8 mm	10" 254 mm

Larger Ranges Available



Standard Range Floorplan



SERPA

7020 W. Sunnyview Ave. • Visalia, CA 93291
 TEL: 559.651.2339 • FAX: 559.651.2345
 sales@serpapakaging.com
 www.serpapakaging.com