

SERPA

2000WA Continuous Sleever

Most sleeves have unique design features to hold the product securely. Serpa uses special mechanisms to shape and seal each sleeve reliably and accurately around the product at speeds up to 300 sleeves per minute.



Sleeve Feed



Our proven orbital erector picks and places the sleeve directly into the transport lugs.

Sleeve Folding



Each sleeve is shaped and sealed around the product reliably and accurately.

Quick Changeover



Quick and accurate change-over takes as little as 15 minutes with no tools.

2000WA Continuous Sleever

A little about Serpa Packaging:

Each 2000WA is customized to your specific needs. We work hard to ensure that you get the best design possible for your sleeving needs. In order to achieve this, we must have a lot of innovative capability. That's why our largest Investment at Serpa Packaging Solutions is in engineering. Our engineers test, debug, and prove every design. After your 2000WA is installed, they monitor your satisfaction by providing you with maintenance and technical support.

Standard Features:

- Compact footprint
- Digital gauges and dials with pointers for changeover
- Gentle product handling
- User-friendly control panel with graphical diagnostic display
- Smooth, quiet and safe operation
- Full access doors make maintenance easy
- Low-height ergonomic magazine
- Online factory modem support available
- Infeed and discharge interlocks standard
- Large, legible ID tags permanently riveted, not glued

Options available include:

- Larger ranges available
- Special product collating
- Custom infeed systems
- Bar code readers
- Ink or non-contact printers
- Deboss coders

Other Serpa Packaging Solutions:

Cartoning:

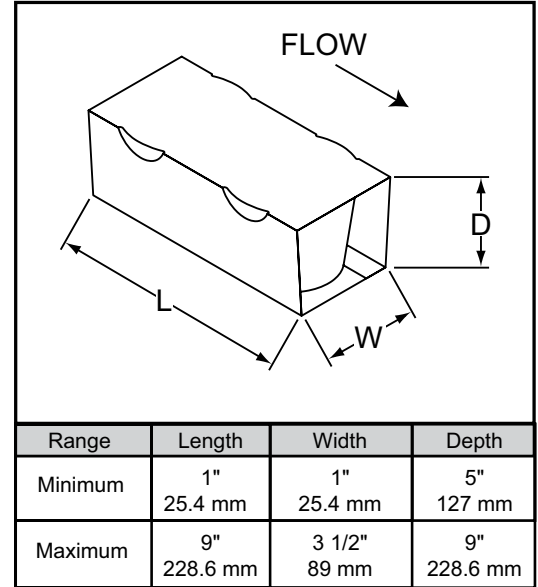
- Intermittent Motion
- Continuous Motion
- Vertical
- Horizontal
- Single or Multiple Sleviers
- Manual Load

Case Packing:

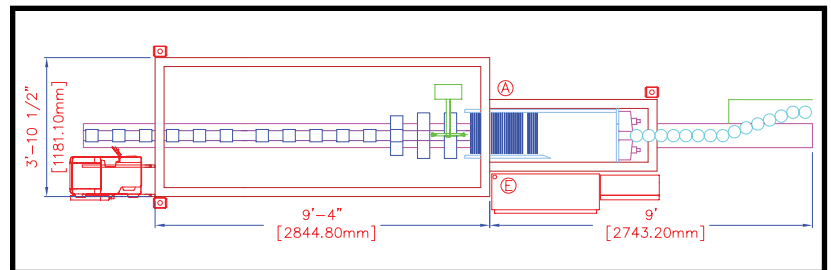
- Case Erecting/Closing
- Semi-Automatic
- Bottom Load
- Wraparound
- Endload or Side Load
- Trays

Systems:

- Line Integration
- Robotic loading
- Custom Product Handling



Products Include:



STANDARD RANGE FLOOR PLAN SHOWN

SERPA

At Serpa Packaging Solutions, we're designing extraordinary things!

SERPA PACKAGING SOLUTIONS • 7020 W. Sunnyview Ave., Visalia, CA 93291

TEL: 559.651.2339 • FAX: 559.651.2345

www.serpapackaging.com • EMAIL: sales@serpapackaging.com

Due to our continuous product improvement philosophy, specifications are subject to change without notice.

